

PRODUCT SHEET
AMORE SHOWER SEAT
FOLDABLE &
REMOVABLE

VANITI HOUSE

LUXURY BATHROOMS & DESIGN

COLOR PALETTE



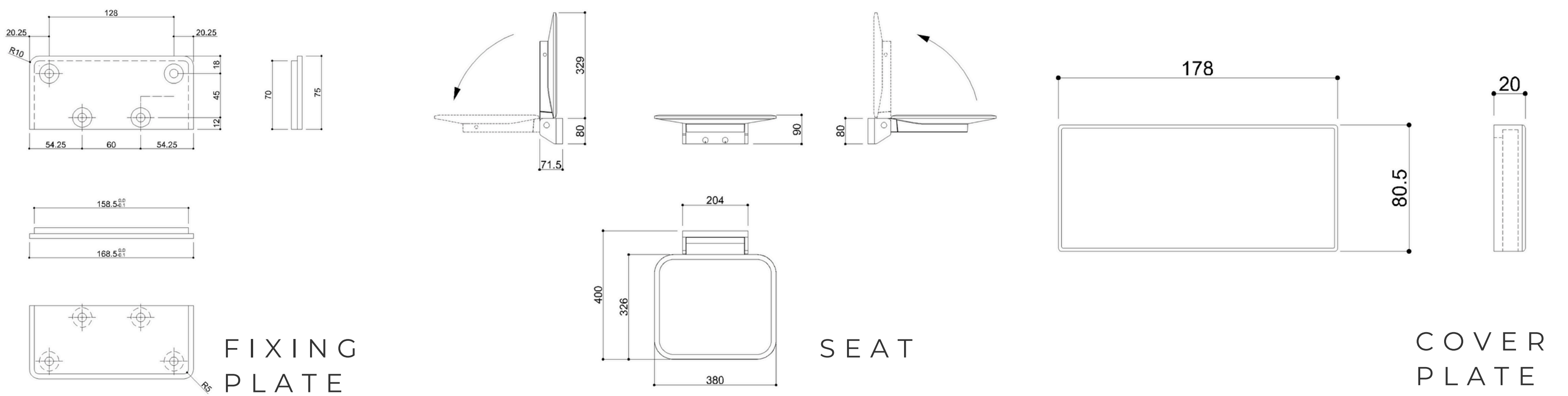
PRODUCT INFO

The Amore wall-mounted shower seat is designed for flexibility and convenience. It can be easily folded up when not in use and fully removed if needed. To maintain a clean and seamless look, a PVC cover plate is provided to neatly conceal the mounting bracket when the seat is stored away.

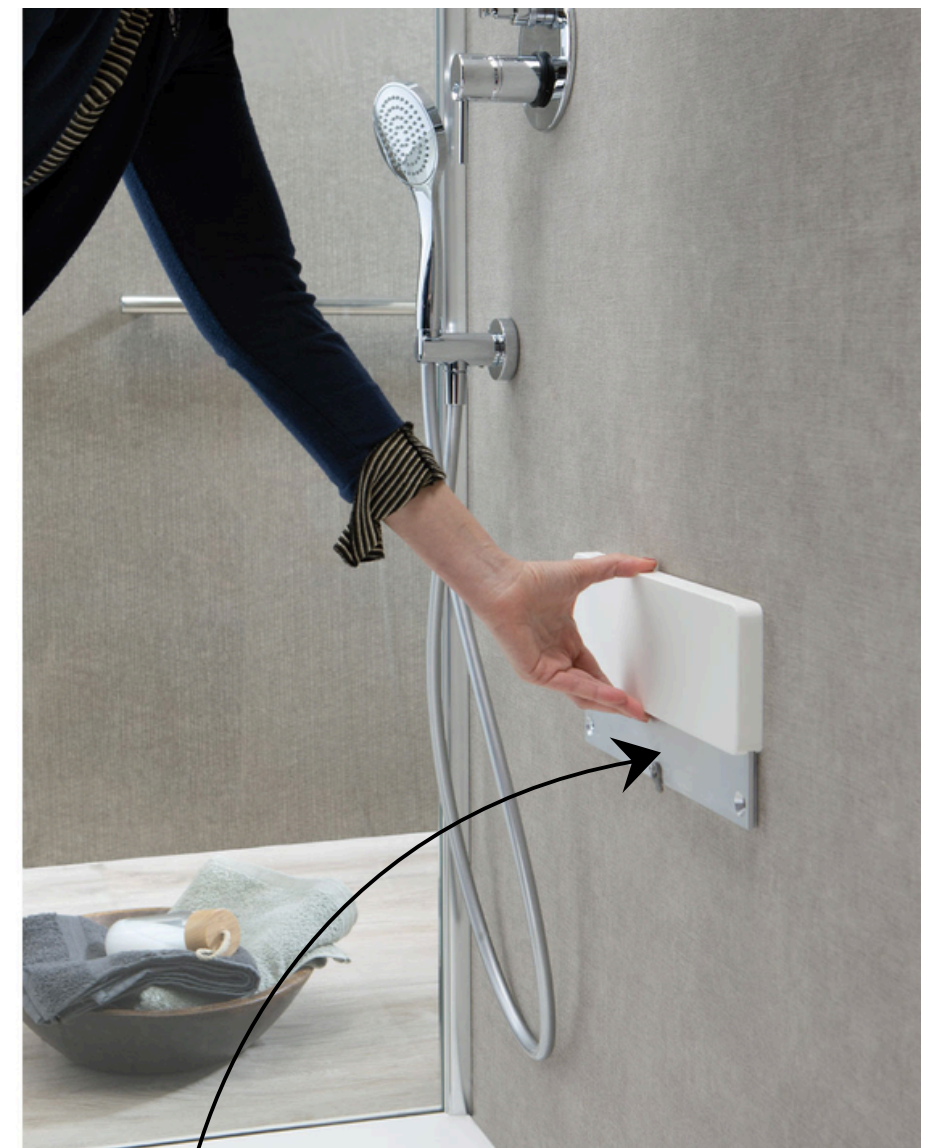
L 380 x **W** 400 x **H** 480mm | **Cover Plate** 171 x 86.5mm | **Material** moulded seat made of ABS + PA/frame aluminium | **Fixing plate** Aluminium | **Load capacity** 150 kg

Seat VHG19UHS03
Cover plate VHF19JIS02CAD
Fixing plate VHY88JKS108

TECHNICAL SPECIFICATION



IMAGE



COVER PLATE

FIXING PLATE

PRODUCT SHEET
AMORE SHOWER SEAT
FOLDABLE &
REMOVABLE

VANITI  HOUSE
LUXURY BATHROOMS & DESIGN

CARING FOR YOUR SHOWER SEAT

Clean with a non-abrasive cloth and mild detergent.
Avoid using harsh chemicals or abrasive cleaners.

